

## Identification

Type Designation	<b>LR3 48-5/30</b>	Type of reactor	<b>3~ Line Reactor</b>
Series	<b>LR3</b>	Core Rating	<b>1251.99 var</b>
Core type	<b>3UI 90/31.5</b>	Drive HP	<b>20 - 25</b>

## Technical Data

No. of phase			<b>3</b>
Circuit type			<b>III0</b>
Rated Voltage	[ V ]		<b>480</b>
Rated current	[ A ]		<b>30.0</b>
Rated Frequency	[ Hz ]		<b>50 - 60</b>
Impedance	[ % ]		<b>5.0</b>
Inductance L	[ mH ]		<b>1.230</b>
L tolerance	[ % ]		<b>±10%</b>
Linearity			<b>150% In</b>
Losses (typical)	[ W ]		<b>64.35</b>
Test voltage	[ kV ]		<b>4.0</b>
Isolation System Class			<b>class 155</b>

## Operating conditions

Ambient temperature	[ °C ]		<b>-10 ... +40°C</b>
Ambient temperature	[ F ]		<b>14 ... 104°F</b>
Type of cooling			<b>AN</b>
Operating conditions			<b>24/7</b>

## Standards

Type:	Signs	
VDE 0570 / EN 61 558 Part 1 VDE 0570 / EN 61 558 Part 20		

## Approvals

UL 508		E219022    NMTR
UL 5085-1		E103521    XPTQ

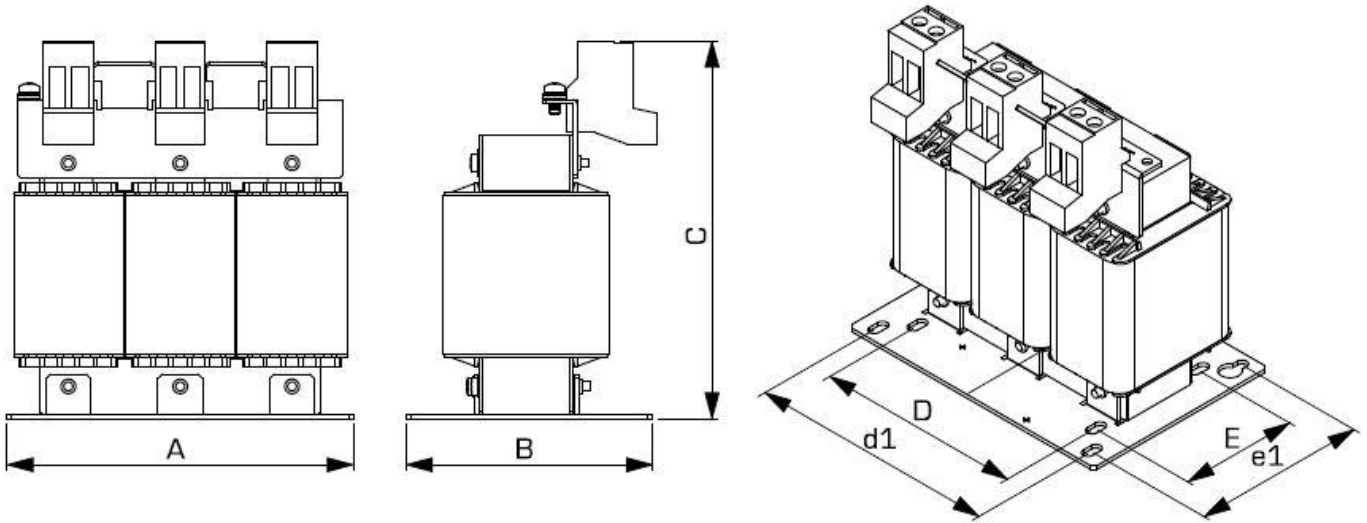
**Product Ident**  
LR3 48-5/30

# Line-Reactor Datasheet



Variations may apply due to material's and production's tolerances. Objected to modifications without notice.

## Dimensions / Mounting in Inches



A	B	C*	F	D	d1	d2	E	e1	e2	Drill
7.28	4.02	7.80	-	3.54	5.35	6.70	3.27	2.76	2.20	0.31
										0.28
										0.31

\* = Typical variable air gab

## Weight

Weight	[ kg ]	<b>6.55</b>
	[ lbs ]	<b>14.43</b>

## Notes

Technical specifications in the drawing are not binding. General tolerance to DIN 7168-m. Subject to change.  
Mounting plates also available in stainless steel as OEM application. Ask for details.

Original Date:	15/04/20	Observe protection clause to ISO 16016	Index	0
Name:	Lüning		Doc. type	
Date:	15/05/06			
Checked:	Wesner		Pages	2 of 2